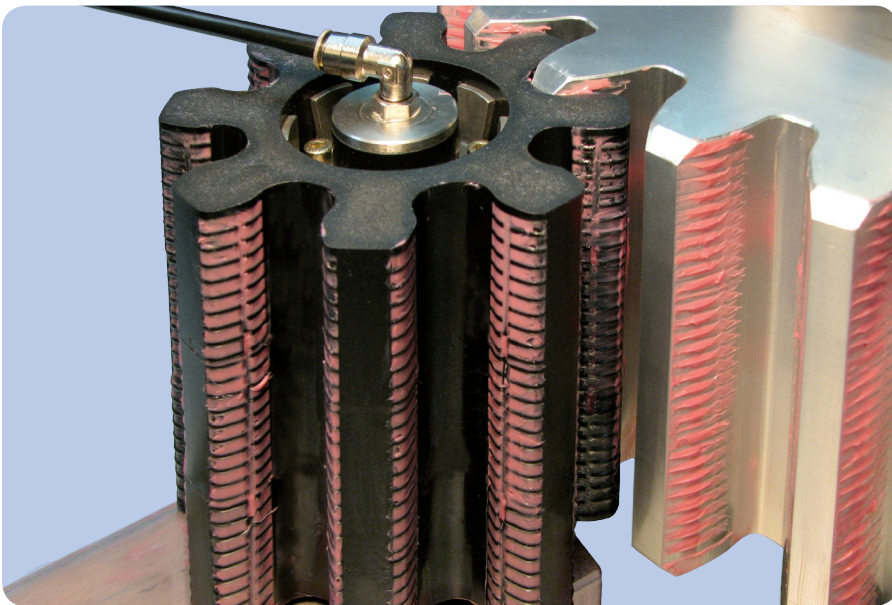


PU Lubrication Pinion

For the lubrication of open tooth gears



- Even, continuously renewed lubricant film via special surface structure
- Corrosion protection
- Easy installation
- Short service time

PU Lubrication Pinion for an even lubricant application

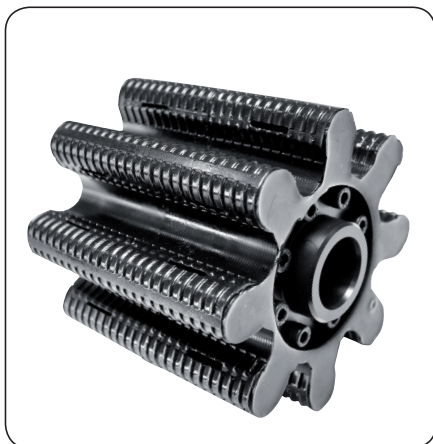
The new sturdy, wear-resistant polyurethane lubrication pinion was specially developed for the lubrication of open gear drives.

The rolling motion of this device continuously applies a 100% lubricant film coverage to the tooth flank, thus reducing wear and simultaneously providing corrosion protection to the gear drive.

The new lubrication pinion applies the lubricant only to the loaded areas of the tooth flank and not to the entire tooth or in the tooth root.

PU Lubrication Pinion

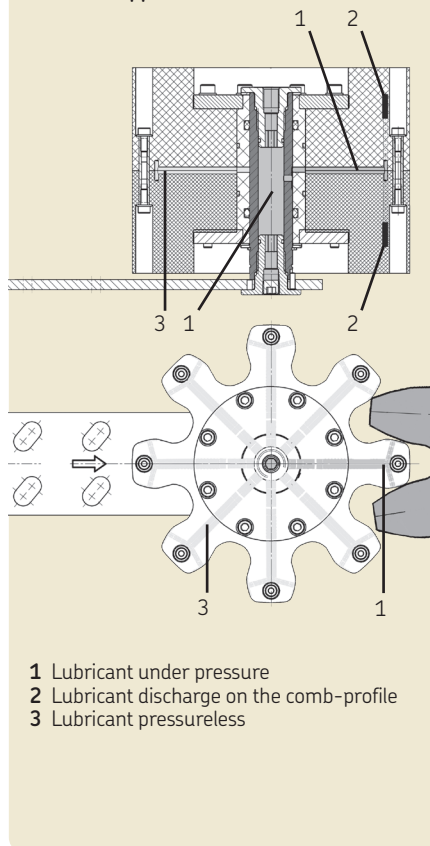
For the lubrication of open tooth gears



Lubrication Pinions are available in different sizes

| | |
|---------------|---------------|
| Module | m10 to m36 |
| Pinion height | 80 to 270 mm |
| Diameter | 112 to 220 mm |

PU Lubrication Pinion for an even lubricant application



Technical Data

| | |
|----------------------|-----------------|
| Operating temp. | -30 to +80 °C |
| Material | Polyurethane PU |
| Number of teeth | 8 |
| Lubricant | NLGI 2 |
| Lubricant connection | 1/8 in. |

An important factor for proper lubrication is the selection of a suitable lubricant that also does not drip off under high temperatures. We will gladly supply you with our comprehensive test results and operation tests for new lubricants.

Lubricant can be supplied to the pinion with either the Lincoln Quickclub progressive system or with the single-line 603/653S with extensive control and operating possibilities.

Lincoln GmbH

Heinrich-Hertz-Str. 2-8 · 69190 Walldorf · Germany
Tel. +49 (0)6227 33-0 · Fax +49 (0)6227 33-259

© SKF is a registered trademark of the SKF Group

© Lincoln is a registered trademark of Lincoln Industrial Corp

© SKF Group 2012

The contents of this publication are the copyright of the publisher and may not be reproduced (even extracts) unless prior written permission is granted. Every care has been taken to ensure the accuracy of the information contained in this publication but no liability can be accepted for any loss or damage whether direct, indirect or consequential arising out of the use of the information contained herein.

SKF PUB LS/P2 12668 EN · March 2012 · FORM W-194-EN-0312

